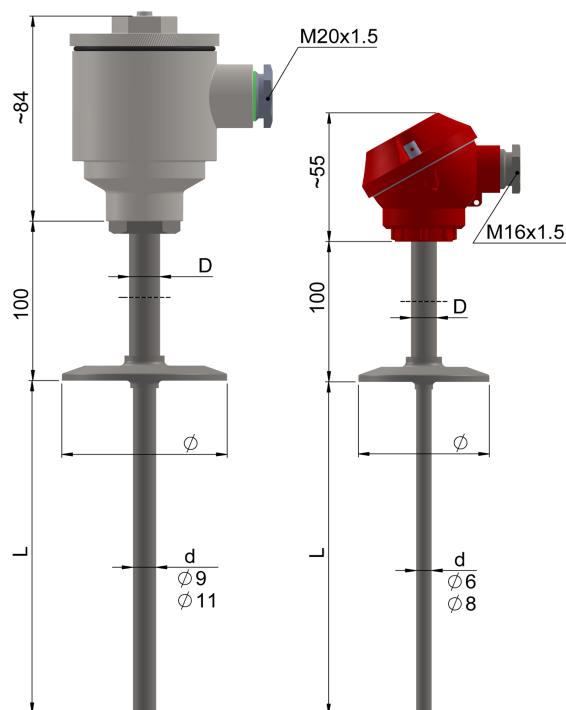


Temperature sensors for food industry TOPT-287

Technical description

Measuring range / sensing element			
(-40 ÷ 200) °C	Pt100	class B	
Thermowell			
– material: steel 1.4541			
– clamping tube connection acc. to PN-ISO 2852			
– length L [mm]: 30÷1000			
Connection dimension	Type of head connection	Diameter	
		D	d
1"	MBEG, MAA	10	6
1½"	MBEG, MAA	10	8
2"	BEG, BA	12	9
3"	BEG, BA	12	11
Construction version			
– PZH approval			
Connection head			
– MA, BA; IP 54 (-40 ÷ 100) °C			
– MBEG, BEG - material 1.4541, IP65 (-40 ÷ 100) °C			
Options			
– Pt1000, Ni100, Ni1000			
– Pt100: class A (-30 ÷ 200) °C, class AA (0 ÷ 150) °C			
Additional accessories			
– temperature transmitters – p. 225+241			



Resistors tolerance acc. to PN-EN 60751

Class	Wire wound resistor	
	Range [°C]	Tolerance [°C]
AA	(-50÷250)	±(0,1+0,0017· t)
A	(-100÷450)	±(0,15+0,002· t)
B	(-196÷600)	±(0,3+0,005· t)

Response time T05/T09

Sensor type	ø9	ø11
Pt	≤33/≤95	≤40/≤120

Ordering code

Temperature sensor	...	TOPT-287
Single	no sign										
Double	2										
With transmitter	AP										
Connection dimension		1, 1½, 2, 3									
Head connection type		MAA, BA, MBEG, BEG									
Sheath length L [mm]		50, 100, 200, 300*									
Thermowell diameter d [mm]			6, 8, 9, 11*								
Resistor type						Pt100*					
Resistor class							A, B*				
Measuring circuit								2, 3, 4			
Type of transmitter									RT-01*		
Setting of transmitter temperature										(0 ÷ 100) °C*	

* or others acc. to requirements

Ordering example

TOPT-287-2-BA-300-9-Pt100-A-3 sensor with Pt100, class A, 3-wire connection, sheath length L=300 mm, sheath diameter 9 mm, with BA connection head and 2" clamping flange